

# PECAN

Professional CCTV Products



## **PC130HLTO** **IR Bullet Camera** True Day/Night 560/580 TVL

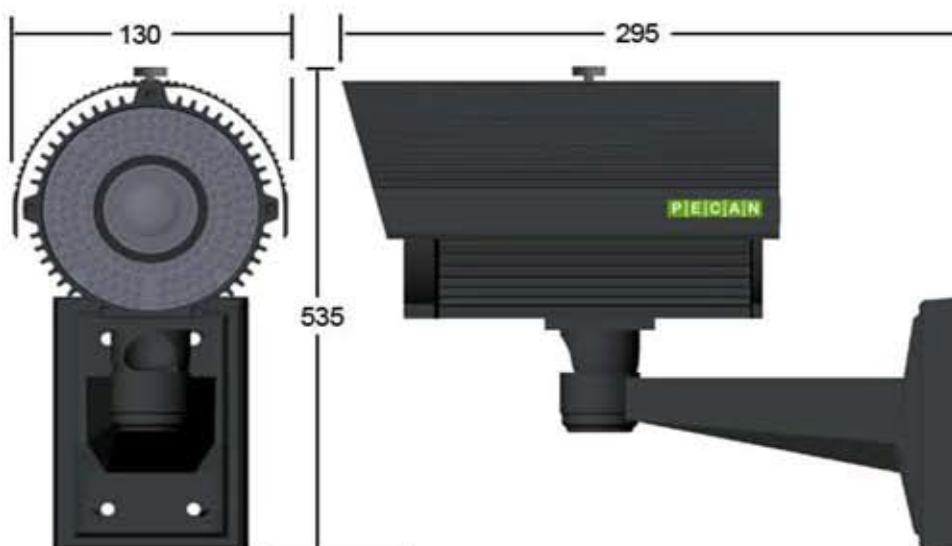
- 1/3" Sony Super HAD CCD
- High Resolution True Day/Night Colour/Mono Operation
- Full OSD ~ On Screen Display set-up controls
- IP66 weather-proof exterior housing
- Easy to adjust focus and zoom (without tools)
- 70 IR LEDs (56pcs std LED and 14pcs surfacemount giving >80m coverage)
- Cable fully managed inside bracket to allow camera orientation without damage
- DC-controlled Auto Iris circuit
- IR-corrected Varifocal lens (f: 5-50mm)
- Automatic switching for 12v DC or 24v AC input

### **APPLICATIONS**

Suitable for a wide variety of applications. The imposing and powerful PC130HLTO camera is ideal for medium to long range applications in car parks and grounds of supermarkets, hotels and industrial and commercial premises.

**☎ 01279 419913**  
**[www.pecancctv.co.uk](http://www.pecancctv.co.uk)**

## PC130HLTO Dimensions (mm)



## Technical data

Video output	Composite video 75 Ohms		
Lens f 5.0-50mm	Varifocal DC drive Auto Iris		
Weight	3.5 kg		
Mode	PAL colour/mono		
Resolution	560/580 TVL		
Sensitivity	0.0 (LEDs on)		
S/N ratio	>50dB (AGC off)		
Power (mA)	LEDs	On	Off
	12vDC	1000	400
	24vAC	340	100
Operating Temp./ Humidity	-10° ~ +50° / 30% ~ 80% RH		
Storage Temp. / Humidity	-20° ~ +60° / 20% ~ 90% RH		

### Power connection

Power to the camera and integral lighting is supplied via the screw terminal connector.

### Video connection

The video signal lead is fitted with a female BNC connector for easy connection to a co-axial, or other video cable.

Centre pin is for signal. Sleeve is ground.

A 2nd video adaptor cable is included for local set-up monitoring.

### OSD FUNCTIONS INCLUDE:

- |                       |                               |
|-----------------------|-------------------------------|
| 1. SDNR               | Super Digital Noise Reduction |
| 2. MOTION DETECTION   | 4 zones                       |
| 3. MIRROR             | On/Off                        |
| 4. BLC                | On/Off/Low/Med/High           |
| 5. GAIN               | On/Off/Low/Med/High           |
| 6. Electronic Shutter | Auto/Man/Sens Up/Flickerless  |
| 7. PRIVACY            | 4 zones                       |

## Order information

Weather-proof IR Bullet camera

### Code

PC130HLTO

We recommend the use of a 1000mA power supply with this item

PSU1210R

Whilst every effort has been made to ensure the accuracy of the information provided, no liability can be accepted for any errors or omissions. All dimensions are approximate. Stortech Electronics Ltd reserves the right to alter the specification and introduce changes without prior notice.

## PECAN CCTV

Tel: 01279 419913

Fax: 01279 419925

Email: [sales@pecancctv.co.uk](mailto:sales@pecancctv.co.uk)

[www.pecancctv.co.uk](http://www.pecancctv.co.uk)